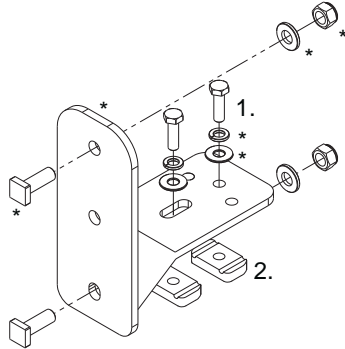


RHINO-RACK

CONTROLLED

33101 - Batwing Heavy Duty Bar Hardware kit

Note: For use with Batwing Awning (33100, 33200). Replace M6 x 20 Hex bolts (B082) and M6 plate nuts (C838), from Batwing hardware kit, with those provided in this kit.



*Items found in 33100 and 33200 kits.

Item	Hardware kit	Qty	Part No.
1	M6 x 25mm Hex Bolt	4	B001
2	M6 Channel Nut	4	N002
3	Instructions	1	R1695

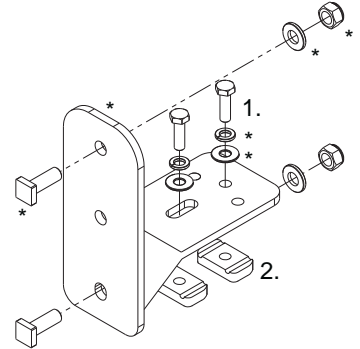
Issue02 Issue Date: 27/03/18 Document No: R1695

RHINO-RACK

CONTROLLED

33101 - Batwing Heavy Duty Bar Hardware kit

Note: For use with Batwing Awning (33100, 33200). Replace M6 x 20 Hex bolts (B082) and M6 plate nuts (C838), from Batwing hardware kit, with those provided in this kit.



*Items found in 33100 and 33200 kits.

Item	Hardware kit	Qty	Part No.
1	M6 x 25mm Hex Bolt	4	B001
2	M6 Channel Nut	4	N002
3	Instructions	1	R1695

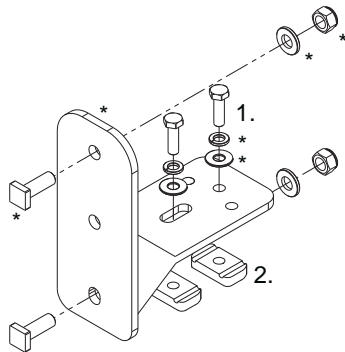
Issue02 Issue Date: 27/03/18 Document No: R1695

RHINO-RACK

CONTROLLED

33101 - Batwing Heavy Duty Bar Hardware kit

Note: For use with Batwing Awning (33100, 33200). Replace M6 x 20 Hex bolts (B082) and M6 plate nuts (C838), from Batwing hardware kit, with those provided in this kit.



*Items found in 33100 and 33200 kits.

Item	Hardware kit	Qty	Part No.
1	M6 x 25mm Hex Bolt	4	B001
2	M6 Channel Nut	4	N002
3	Instructions	1	R1695

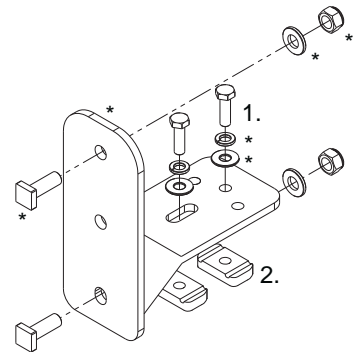
Issue02 Issue Date: 27/03/18 Document No: R1695

RHINO-RACK

CONTROLLED

33101 - Batwing Heavy Duty Bar Hardware kit

Note: For use with Batwing Awning (33100, 33200). Replace M6 x 20 Hex bolts (B082) and M6 plate nuts (C838), from Batwing hardware kit, with those provided in this kit.



*Items found in 33100 and 33200 kits.

Item	Hardware kit	Qty	Part No.
1	M6 x 25mm Hex Bolt	4	B001
2	M6 Channel Nut	4	N002
3	Instructions	1	R1695

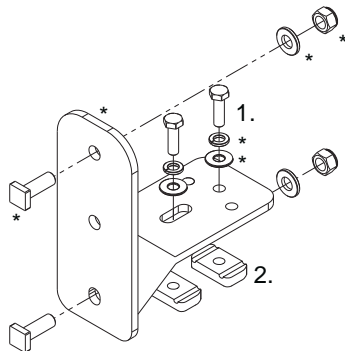
Issue02 Issue Date: 27/03/18 Document No: R1695

RHINO-RACK

CONTROLLED

33101 - Batwing Heavy Duty Bar Hardware kit

Note: For use with Batwing Awning (33100, 33200). Replace M6 x 20 Hex bolts (B082) and M6 plate nuts (C838), from Batwing hardware kit, with those provided in this kit.



*Items found in 33100 and 33200 kits.

Item	Hardware kit	Qty	Part No.
1	M6 x 25mm Hex Bolt	4	B001
2	M6 Channel Nut	4	N002
3	Instructions	1	R1695

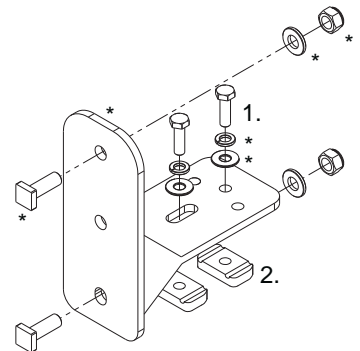
Issue02 Issue Date: 27/03/18 Document No: R1695

RHINO-RACK

CONTROLLED

33101 - Batwing Heavy Duty Bar Hardware kit

Note: For use with Batwing Awning (33100, 33200). Replace M6 x 20 Hex bolts (B082) and M6 plate nuts (C838), from Batwing hardware kit, with those provided in this kit.



*Items found in 33100 and 33200 kits.

Item	Hardware kit	Qty	Part No.
1	M6 x 25mm Hex Bolt	4	B001
2	M6 Channel Nut	4	N002
3	Instructions	1	R1695

Issue02 Issue Date: 27/03/18 Document No: R1695